



**LUXBURG**  
**User Manual**



## **Floor Screens**

**Website:** [www.luxburgvisual.com](http://www.luxburgvisual.com)



**Email:** [support@luxburgvisual.com](mailto:support@luxburgvisual.com)

**Tel:** 0044 207 237 4842

# Table of Contents

SAFETY INFORMATION.....	3
IMPORTANT SAFETY INSTRUCTION .....	3
SETTING UP THE SCREEN .....	4
Positioning the screen: .....	4
RETRACTING THE SCREEN .....	5
ADDITIONAL INFORMATION .....	6
Cleaning the screen.....	6
WARRANTY AND COPYRIGHT INFORMATION.....	7
Warranty .....	7
Copyright.....	7

## **SAFETY INFORMATION**

	Do not attempt to disassemble any part; this could lead to a shocking hazard
	This product is extremely flammable

## **IMPORTANT SAFETY INSTRUCTION**

1. Follow all installation instructions. Failing to do so, may lead to serious consequences.
2. Screens must be installed in accordance with the instructions.
3. Ensure that the screen is mounted securely.
4. Operate within specified temperature and humidity range
5. Do not operate screen before it is installed on wall.
6. Provide proper adult supervision when using the screen around children.
7. We strongly suggest that this item should be fitted by a professional, we will not be held responsible for any loss, incidental or consequential damage.

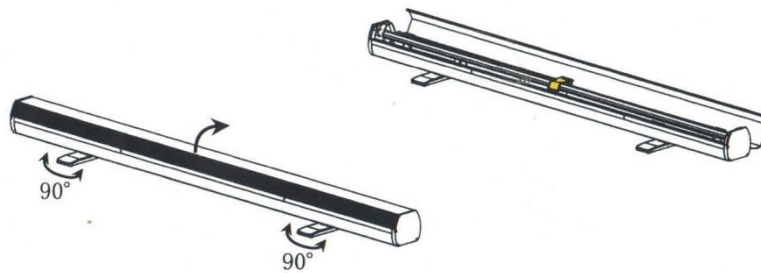
# SETTING UP THE SCREEN

## Positioning the screen:

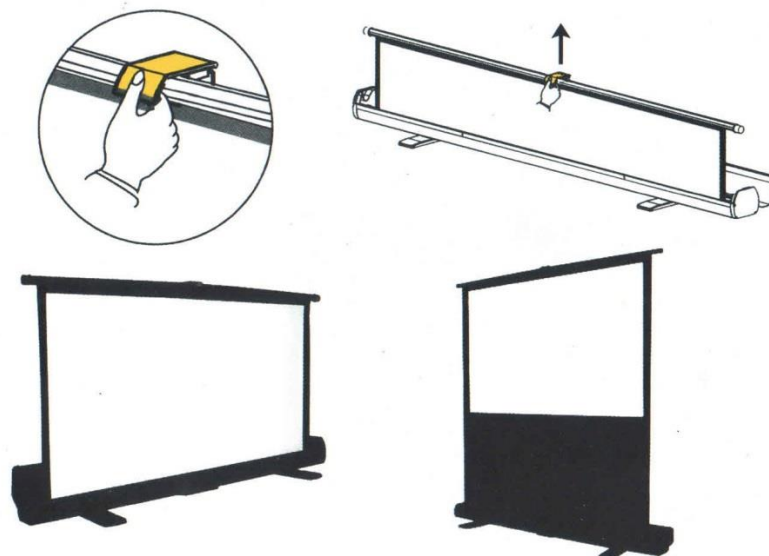
It is advised that you position the screen where there isn't any direct light. The more light that hits the screen, the more blurry the image will look. The screen stands on its own and you can place it wherever you want.

To start with carefully unpack the screen. Always handle the screen in a levelled position on a clean surface. In order to protect the screen from exposure to stains, keep the screen out of contact with foreign objects such as dust, saw dust, and/or liquids

- Rotate right and left support plate to 90 degrees, open the lock by pressing the unlock button and open the top screen's casing.

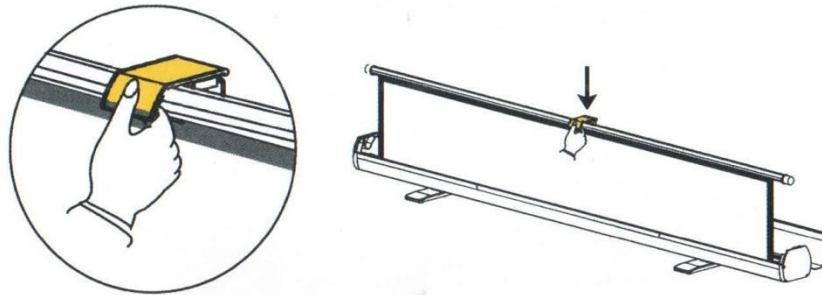


- Pull the handle indicated with the yellow label and pull the upward until the maximum height is reached

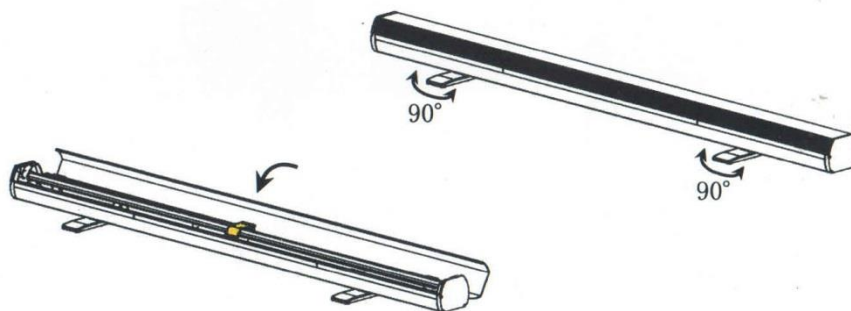


## RETRACTING THE SCREEN

To retract the screen, slowly pull the handle indicated with the yellow label until it is completely back to the casing.



Close the casing and then rotate the left and right support plate to 90 degree.



## **ADDITIONAL INFORMATION**

### **Cleaning the screen**

If you want to get the most use of the projector screen, you must clean it on a regular basis. It is important that you clean the screen the right way.

Depending on the fabric, different instructions may apply.

Try to avoid touching the screen with your hands

### **Matt and fibre Glass Fabrics**

With a soft clean rag, slightly dust off your projector screen. It is recommended to follow this process every one to three days.

### **Glass Bead Fabric**

We advise that you clean the screen on a daily basis.

Unfortunately you cannot use any cleaning solutions to clean glass bead screens as these will damage the surface. We recommend that you use a dry cloth to clean the screen.

**NOTE: IT IS STRONGLY RECOMMENDED NOT TO USE ANY DETERGENTS, ABRASIVES OR SOLVENTS AS MANY OF THESE CHEMICAL SOLUTIONS CAN FADE YOUR SCREEN**

# WARRANTY AND COPYRIGHT INFORMATION

## Warranty

All items come with a **1 year warranty** covering manufacturing defects only. This warranty excludes any damage caused by the user. If your item develops a fault due to a manufacturing defect during this period please contact us.

Please note that proof of purchase will be required for any claims made.

## Copyright

Copyright © Luxburg Visual, all right reserved. This document must not be reproduced or distributed.