


LUXBURG
User Manual



Electric Screens

Website: www.luxburgvisual.com



Email: support@luxburgvisual.com

Tel: 0044 207 237 4842

Table of Contents

SAFETY INFORMATION.....	3
IMPORTANT SAFETY INSTRUCTION	3
SETTING UP THE SCREEN	4
POSITIONING THE SCREEN.....	5
ADJUSTING THE SCREEN	6
USING THE SCREEN	7
Operating Instructions	7
ADDITIONAL INFORMATION	7
Cleaning the screen.....	7
WARRANTY AND COPYRIGHT INFORMATION.....	8
Warranty	8
Copyright.....	8

SAFETY INFORMATION

	Do not attempt to disassemble any part; this could lead to a shocking hazard
	This product is extremely flammable

IMPORTANT SAFETY INSTRUCTION

1. Follow all installation instructions. Failing to do so, may lead to serious consequences.
2. Screens must be installed in accordance with the instructions.
3. Ensure that the screen is mounted securely.
4. Operate within specified temperature and humidity range
5. Do not operate screen before it is installed on wall.
6. Make sure that the operating voltage of the screen corresponds to your local voltage.
7. Provide proper adult supervision when using the screen around children.
8. We strongly suggest that this item should be fitted by a professional, we will not be held responsible for any loss, incidental or consequential damage.

SETTING UP THE SCREEN

1. Carefully unpack the screen.
2. Always handle the screen in a levelled position on a clean surface.
3. In order to protect the screen from exposure to stains, keep the screen out of contact with foreign objects such as dust, saw dust, and/or liquids
4. According to venue and projecting requirements, fix up the wall shelf securely. (Note that the two wall shelves must at the same level, otherwise screen surface will decline to one side)
5. Hang the screen on the wall shelf.
6. Once the direction red light shows on the switch box after the power on, start up the up and down switch on the switch box, the screen should adjust accordingly.
7. Remote / manual dual-use type, you can control the screen in different ways according to your choice.

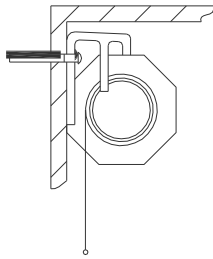
NOTE: IF YOU WISH TO CHANGE THE PLUG/CABLE, WE STRONGLY ADVISE THIS HAS TO BE CARRIED OUT BY A PROFESSIONAL.
THE SOCKET OUTLET SHALL BE INSTALLED NEAR THE EQUIPMENT AND SHALL BE EASILY ACCESSIBLE

POSITIONING THE SCREEN

It is advised that you position the screen where there isn't any direct light. The more light that hits the screen, the more blurry the image will look. You are advised to mark out the screen placement on the wall for ease of positioning.

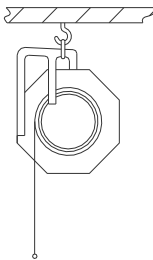
Wall mounted

There is a key ring on the bracket at both ends of the screen, when you need to hang projection screen on the wall, you should hammer down nails or install screws at the corresponding position on the wall first, then hang up the screen.



Ceiling style:

When you need to hang projection screen on the ceiling, you should install two pieces of pothooks at the corresponding position on the ceiling first, then latch on hanging jack which is on the end cap of projection screen.



NOTE: NO MATTER WHAT KIND OF METHOD OF INSTALLATION, HAVE TO MAKE THE ENOUGH PLACE TO DRAW BACK THE SCREEN, AFTER YOU USED THE SCREEN PLEASE CLOSE THE SCREEN AFTER YOU USED THE SCREEN , PLEASE CHECK THE FABRIC OF SCREEN , WHETHER IT HAVE DUST AND DIRT. IF IT HAS THIS, PLEASE CLEAN BY THE SOFT BRUSH.

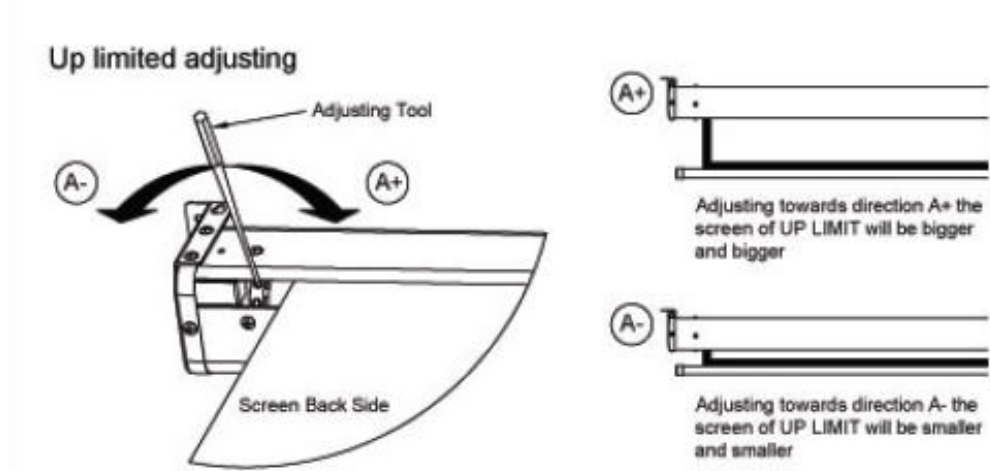
ADJUSTING THE SCREEN

The screen is normally correctly adjusted before out of factory, however if for any reasons the screen is not adjusted correctly, please follow the instructions below.

Use a screwdriver of 3mm diameter or inner hexagon spanner of 4mm or other enclosed tools to insert into the relevant hole on the right bottom of case for adjusting.

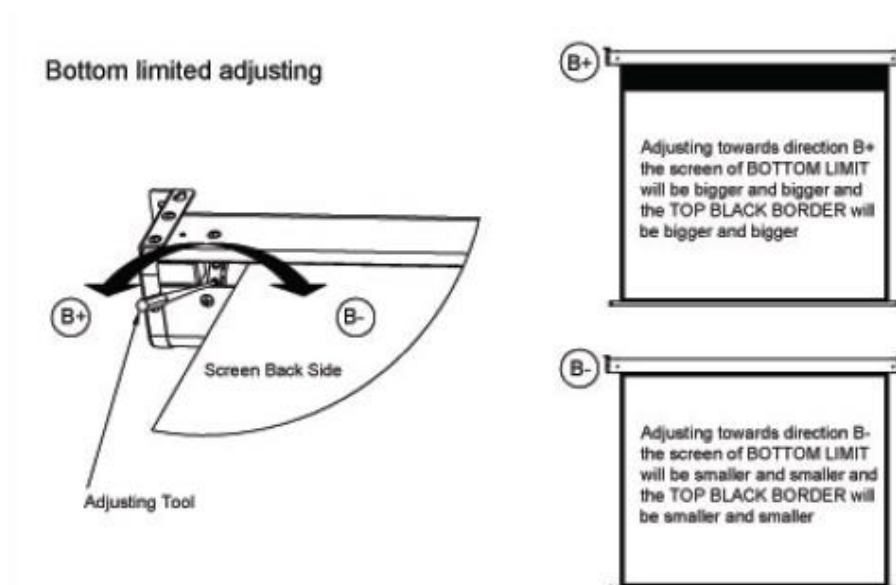
❖ Up limited adjusting

When the screen is in the stage of retracting back and the bottom shaft is not in the right place, please refer to the diagram below.



❖ Bottom limited adjusting

When the screen is completely opened up, while the top black border is not in the right place, please follow the instructions below:



USING THE SCREEN

Operating Instructions

To lower the screen, simply press the DOWN button on the switch.

However, lowering or raising, when the screen reaches its desired height, press the stop button.

To alter the screen height, or retract the screen back into its housing, simply press the UP button on the switch

NOTE: IMPROPER USE OR MANUALLY PULLING THE SCREEN RETRACTS WILL INVALIDATE ANY WARRANTY. DO NOT RUN THE SCREEN CONTINUOUSLY FOR ABOVE 5 MINUTES, THIS MAY DAMAGE THE MOTOR DUE TO OVERHEATING. IT IS ADVISED THAT YOU WAIT UNTIL THE MOTOR COOLS DOWN.

ADDITIONAL INFORMATION

Cleaning the screen

If you want to get the most use of the projector screen, you must clean it on a regular basis. It is important that you clean the screen the right way.

Depending on the fabric, different instructions may apply.

Try to avoid touching the screen with your hands

Matt and fibre Glass Fabrics

With a soft clean rag, slightly dust off your projector screen. It is recommended to follow this process every one to three days.

Glass Bead Fabric

We advise that you clean the screen on a daily basis.

Unfortunately you cannot use any cleaning solutions to clean glass bead screens as these will damage the surface. We recommend that you use a dry cloth to clean the screen.

NOTE: IT IS STRONGLY RECOMMENDED NOT TO USE ANY DETERGENTS, ABRASIVES OR SOLVENTS AS MANY OF THESE CHEMICAL SOLUTIONS CAN FADE YOUR SCREEN

WARRANTY AND COPYRIGHT INFORMATION

Warranty

All items come with a **1 year warranty** covering manufacturing defects only. This warranty excludes any damage caused by the user. If your item develops a fault due to a manufacturing defect during this period please contact us.

Please note that proof of purchase will be required for any claims made.

Copyright

Copyright © Luxburg Visual, all right reserved. This document must not be reproduced or distributed.